

## DESCRIPTION

Eon 303-B1-LEDB1 is a compact, low profile, dimmable, LED bollard that provides downlight only via a fixed head. 303-B1-LEDB1 has a single head on one side of the luminaire. The bollard comes standard with universal input LED driver (120-277V, 50/60 Hz). Dimming is achieved with a standard ELV, reverse phase dimming driver or an optional 0-10V dimming driver. Eon fixtures may be used indoors or outdoors and carry an IP66 rating. The patented LumaLevel™ leveling system provides quick installation, easy adjustment, secure mounting and protection from vibration.

<b>Catalog #</b>		<b>Type</b>
<b>Project</b>		
<b>Comments</b>		<b>Date</b>
<b>Prepared by</b>		

## SPECIFICATION FEATURES

### Construction

The head of the 303-B1-LEDB1 is precision machined from corrosion-resistant 6061-T6 aluminum. Body is extruded aluminum and adjustable mounting base is cast from corrosion resistant aluminum alloy. Stainless steel hardware is included. Four (4) 3/8" x 12" galvanized anchor bolts and a galvanized steel anchor bolt template are standard. Specify option -LAB and order the anchor bolt/template kit separately (Catalog: 7581-01PK).

### Optical

LightBAR™ and optical assembly are sealed by a clear, impact resistant tempered glass lens. The optical assembly is available in three distributions: T2 (lateral throw), T4 (forward throw) and T5X (Flood). Available in several color temperatures: 2700K, 3000K, 3500K,

4000K and TSAM (Amber). Both color temperature and distribution must be specified when ordering – see catalog logic for details. An edge-lit option is available.

### Electrical

The bollard is standard with an ELV trailing edge phase dimmable driver that accepts a universal input (120-277, 50/60Hz). An optional 0-10V universal dimming driver is also available. Both driver options incorporate surge protection. The receptacle option incorporates a specification grade, 120V, 15A tamper proof and weather resistant duplex GFCI. The photocell option comes in either a 120V or 277V. Please see Option section for more detail.

### Finish

Luminaire and mounting base are double protected by a RoHS compliant chemical film undercoating and polyester powdercoat paint finish. The mounting base is painted black. The luminaire housing and head are available in a variety of standard colors. RAL and custom color matches are available upon request. As an option, the Eon bollards are also available in colors to match other outdoor Eaton product lines, such as Invue. See the Finish section in the ordering detail for more detail.

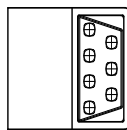
### Warranty

Lumiere warrants the EON series of fixtures against defects in material and workmanship for five (5) years. Auxiliary equipment such as LED drivers carries the original manufacturer's warranty.

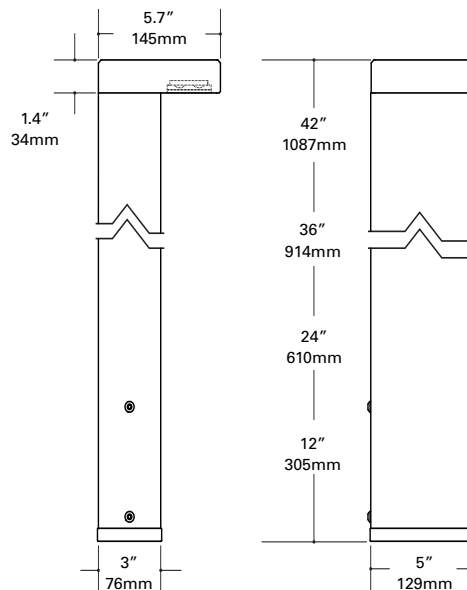


**303-B1-LEDB1**  
EON LED

**APPLICATIONS:**  
BOLLARD



Under side profile view



### CERTIFICATION DATA

UL and cUL Wet Location Listed  
LM79 / LM80 Compliant  
ROHS Compliant  
IP66 Ingressed Protection Rated

### TECHNICAL DATA

50°C Maximum Temperature Rating  
External Supply Wiring 90°C Minimum



## ORDERING INFORMATION

Sample Number: 303-B1-LEDB1-2700-120-T2-DIM10-BK-42-EDGE-PC1-RFL-LAB

Series <sup>9</sup>	Color Temperature	Input Voltage	Optics	Dimming	Finish <sup>3</sup>	Height <sup>4</sup>	Options <sup>6</sup>
303-B1-LEDB1 Head contains one (1) Mini LightBAR™	2700=2700K 3000=3000K 3500=3500K 4000= 4000K TSAM=Turtle Safe Amber (585-595nm)	UNV=120-277V <sup>1</sup> 120=120V 277=277V <sup>2</sup>	T2 =Type II, Lateral Throw T4 = Type IV, Forward Throw T5X =Type V, Extra Wide Flood	DIMELV=Trailing Edge Phase Dimming Driver DIM10=0-10V Dimming Driver	Painted BK=Black BZ=Bronze CS=City Silver WT=White Premium Paint AP=Grey DP=Dark Platinum GM=Graphite Metallic	12=12" <sup>5</sup> 24=24" 36=36" 42=42"	EDGE=Edge lit glass lens PC1=Photocontrol 120V <sup>7</sup> PC2=Photocontrol 208-277V <sup>7</sup> RIU=Receptacle - In Use (120V Only) <sup>7</sup> RFL=Receptacle - Flip-Lid (120V Only) <sup>7</sup> LAB=Less Anchor Bolts & Template <sup>8</sup>

**NOTES:** 1 Universal Voltage (UNV) is standard unless specifying Photocontrol or Receptacle (RIU or RFL - 120V) options. 2 Specify for PC2 option only. 3 Custom and RAL color matching available upon request. Consult factory for further information. 4 Bollard heights are nominal (shown in inches). 5 12" length not available with RIU or RFL options. 6 Add suffix in the order shown. 7 Must specify voltage when ordering. 8 When specifying LAB option the anchor bolts and template need to be ordered separately 7581-01PK. 9 DesignLights Consortium™ Qualified and classified for DLC Standard. Refer to [www.designlights.org](http://www.designlights.org) for details on exact qualified EON 303-B1-LEDB1 product as not all configurations are DLC classified.

**LUMEN MAINTENANCE**

Ambient Temperature	TM-21 Lumen Maintenance (72,000 Hours)	TM-21 Reported L70(10k) (Hours)	Theoretical L70 (Hours)
25°C	> 94%	> 60,000	365,000
40°C			
50°C			

**CURRENT DRAW**

Model	Line Voltage	Current Draw
303-B1-LEDB1	120-277V, 50/60Hz	0.068A

**MAX LOAD RATING**

Options	Line Voltage	Max Load Rating
PC1	120V, 50/60Hz	1000VA, 8.3A
PC2	208-277V, 50/60Hz	
RIU or RFL	120V, 50/60Hz	1800VA, 15A

**LUMENS - CRI/CCT TABLE**

Optic Type	Distribution	Watts	Delivered Lumens	LPW	CCT (K) / Color	CRI nom./ Wavelength	B-U-G Rating
T2 (Lateral Throw)		8.5	361	44	2700	95	B0-U0-G0
			600	74	3000	75	
			419	51	3500	85	
			661	81	4000	75	
		6.5	184	28	TSAM (Amber)	585-595nm	
T4 (Forward Throw)		8.5	353	43	2700	95	B0-U0-G0
			587	72	3000	75	
			410	50	3500	85	
			647	79	4000	75	
		6.5	180	28	TSAM (Amber)	585-595nm	
T5X (Extra Wide Flood)		8.5	316	39	2700	95	B0-U0-G0
			525	65	3000	75	
			367	45	3500	85	
			579	71	4000	75	
		6.5	161	25	TSAM (Amber)	585-595nm	

**OPTIONS**

**Receptacle Options (120V Only)**

**RIU - Receptacle In-Use**

Rugged UV-resistant polycarbonate clear cover and gray body protects GFCI without cracking or breaking and is non-corrosive. Note: Cover is weatherproof with the cord plugged in and the receptacle is not required to be attended while in use. The receptacle incorporates a specification grade, 120V, 15A tamper proof and weather resistant duplex GFCI. Available on 24", 36" and 42" heights.

**RFL - Receptacle Flip Lid**

Cover is constructed of a durable, die-cast zinc alloy and is painted to match fixture. Cover is only weatherproof without the cord plugged in and the cover closed. The receptacle will need to be attended while in use. The receptacle incorporates a specification grade, 120V, 15A tamper proof and weather resistant duplex GFCI. Available on 24", 36" and 42" heights.

**Photocontrol**

PC1 (120V) or PC2 (277V)

Photocontrol cover is precision machined from corrosion-resistant 6061-T6 aluminum and is secured to bollard head with tamper resistant stainless steel hardware. The photocontrol option is available in dedicated 120V or 208-277V. When specifying a photocontrol option make sure to designate the appropriate voltage within the catalog logic.

**Edge**

When specifying with the EDGE option, the diffused glass becomes thicker adding a visible line of light around the edge accentuating the luminaries' aesthetics and styling.

**TECHNICAL NOTES:**

- Adjustable mounting base - Cast aluminum mounting base is equipped with the patented LumaLevel™ leveling system that includes mounting base, 70 shore neoprene base, stainless steel hardware and a slot to accommodate two inbound and outbound 3/4" conduits. It provides quick installation, easy adjustment, secure mounting and protection from vibration.