



Specification grade area lights available with IES Type II distribution. For use in parking lots, roadways, pathways and general area lighting. Patent pending thermal management system. 5 Year Warranty.

Color: Bronze

Weight: 31.0 lbs

Project:
Rhino Foods Parking

Type:
C

Prepared By:
S Elliott

Date:
4/28/17

Driver Info

Type:	Constant Current
120V:	0.66A
208V:	0.41A
240V:	0.35A
277V:	0.30A
Input Watts:	77W
Efficiency:	N/A

LED Info

Watts:	78W
Color Temp:	4000K
Color Accuracy:	72 CRI
L70 Lifespan:	100000
Lumens:	9,220
Efficacy:	120 LPW

Technical Specifications

Listings

UL Listing:

Suitable for wet locations as a downlight.

DLC Listed:

This product is listed by Design Lights Consortium (DLC) as an ultra-efficient premium product that qualifies for the highest tier of rebates from DLC Member Utilities.

DLC Product Code: P0000179R

IESNA LM-79 & IESNA LM-80 Testing:

RAB LED luminaires have been tested by an independent laboratory in accordance with IESNA LM-79 and 80, and have received the Department of Energy "Lighting Facts" label.

Dark Sky Approved:

The International Dark Sky Association has approved this product as a full cutoff, fully shielded luminaire.

Optical

Lifespan:

100,000-hour LED lifespan based on IES LM-80 results and TM-21 calculations.

BUG Rating:

B1 U0 G2

Replacement:

Replaces 250W Metal Halide.

Construction

IES Classification:

The Type II distribution is ideal for wide walkways, on ramps and entrance roadways, bike paths and other long and narrow lighting applications. This type is meant for lighting larger areas and usually is located near the roadside. This type of lighting is commonly found on smaller side streets or jogging paths.

Effective Projected Area:

EPA = 0.75

Ambient Temperature:

Suitable for use in 104° F (40° C) ambient temperatures.

Cold Weather Starting:

Minimum starting temperature is -40° F (-40° C)

Thermal Management:

Superior heat sinking with external Air-Flow fins.

Housing:

Die cast aluminum housing, lens frame and mounting arm.

IP Rating:

Ingress Protection rating of IP66 for dust and water

Reflector:

Specular vacuum-metallized polycarbonate

Gaskets:

High temperature silicone gaskets.

Finish:

Formulated for high-durability and long lasting color.

Green Technology:

Mercury and UV free. RoHS compliant components. Polyester powder coat finish formulated without the use of VOC or toxic heavy metals.

For use on LEED Buildings:

IDA Dark Sky Approval means that this fixture can be used to achieve LEED Credits for Light Pollution Reduction.

LED Characteristics

LEDs:

Six (6) multi-chip, 13W, high-output, long-life LEDs.

Color Consistency:

3-step MacAdam Ellipse binning to achieve consistent fixture-to-fixture color.

Color Stability:

LED color temperature is warranted to shift no more than 200K in CCT over a 5 year period.

Color Uniformity:

RAB's range of CCT (Correlated Color Temperature) follows the guidelines of the American National Standard for Specifications for the Chromaticity of Solid State Lighting (SSL) Products, ANSI C78.377-2015.

Electrical

Driver:

Constant Current, Class 2, 2000mA, 100-277V, 50-60Hz, 1.1A, Power Factor 99%

THD:

4.6% at 120V, 12.9% at 277V

Surge Protection:

4kV

Technical Specifications (continued)

Electrical

Surge Protector:

ALED78 is available with a 6kV surge protector (SP6). SP6 available .

Other

California Title 24:

See ALED2T78/D10, ALED2T78/BL, ALED2T78/PCS, ALED2T78/PCS2, or ALED2T78/PCT for a 2013 California Title 24 compliant product. Any additional component requirements will be listed in the Title 24 section under technical specifications on the product page.

Warranty:

RAB warrants that our LED products will be free from defects in materials and workmanship for a period of five (5) years from the date of delivery to the end user, including coverage of light output, color stability, driver performance and fixture finish.

Patents:

The ALED design is protected by patents in the U.S. Pat. 668,370, Canada Pat. 144956, China ZL201230100154.X, and Mexico Pat. 38423. Pending patents in Taiwan.

Country of Origin:

Designed by RAB in New Jersey and assembled in the USA by RAB's IBEW Local 3 workers.

Buy American Act Compliant:

This product is a COTS item manufactured in the United States, and is compliant with the Buy American Act.

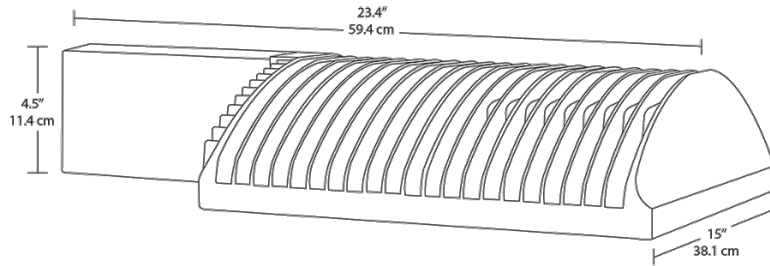
Recovery Act (ARRA) Compliant:

This product complies with the 52.225-21 "Required Use of American Iron, Steel, and Manufactured Goods-- Buy American Act-- Construction Materials (October 2010).

GSA Schedule:

Suitable in accordance with FAR Subpart 25.4.

Dimensions



Features

- 66% energy cost savings vs. HID
- 100,000-hour LED lifespan
- Type II distribution
- 5-year warranty

Ordering Matrix

Family	Distribution	Watts	Mount	Color Temp	Finish	Voltage	Photocell	Dimming	Bi-Level
ALED									
	2T = Type II	360 =	Blank =	Blank = 5000K	Blank =	Blank = 120-277V	Blank = No Photocell	Blank = No	Blank = No Bi-
	3T = Type III	360W	Arm	(Cool)	Bronze	/480 = 480V (Only 360W &	/PC = 120V Button	Dimming	Level
	4T = Type IV	260 =	SF =	Y = 3000K	W = White	260W)	/PC2 = 277V Button	/D10 = Dimmable	/BL = Bi-Level
		260W	Slipfitter	(Warm)	RG = Gray		/PCS = 120V Swivel		
		150 =		N = 4000K			/PCS2 = 277V Swivel		
		150W		(Neutral)			/PCT = 120-277V		
		125 =					Twistlock		
		125W					/PCS4 = 480V Swivel		
		105 =					/PCT4 = 480V		
		105W					Twistlock		
		78 = 78W							



Square steel poles drilled for 2 Area Lights at 180°. Designed for ground mounting. Poles are stocked nationwide for quick shipment. Protective packaging ensures poles arrive at the job site good as new.

Color: Bronze

Weight: 106.0 lbs

Project: Rhino Foods Parking	Type: Pole
Prepared By: S Elliott	Date: 4/28/17

Lamp Info		Ballast Info	
Type:	N/A	Type:	N/A
Watts:	0W	120V:	N/A
Shape/Size:	N/A	208V:	N/A
Base:	N/A	240V:	N/A
ANSI:	N/A	277V:	N/A
Hours:	N/A	Input Watts:	0W
Lamp Lumens:	N/A		
Efficacy:	N/A		

Technical Specifications

Listings

CSA Listed:

Suitable for wet locations.

Construction

Shaft:

46,000 p.s.i. minimum yield.

Hand Holes:

Reinforced with grounding lug and removable cover.

Base Plates:

Slotted base plates 36,000 p.s.i.

Shipping Protection:

All poles are shipped in individual corrugated cartons to prevent finish damage.

Color:

Bronze powder coating.

Height:

15 FT.

Weight:

106 lbs.

Gauge:

11

Wall Thickness:

1/8".

Shaft Size:

4".

Hand Hole Dimensions:

3" x 5".

Bolt Circle:

8 1/2".

Base Dimension:

8".

Anchor Bolt:

Galvanized anchor bolts and galvanized hardware and anchor bolt template. All bolts have a 3" hook.

Anchor Bolt Templates:

WARNING Template must be printed on 11" x 17" sheet for actual size. CHECK SCALE BEFORE USING. Templates shipped with anchor bolts and available .

Pre-Shipped Anchor Bolts:

Bolts can be pre-shipped upon request for additional freight charge.

MaxEPA's/Max Weights:

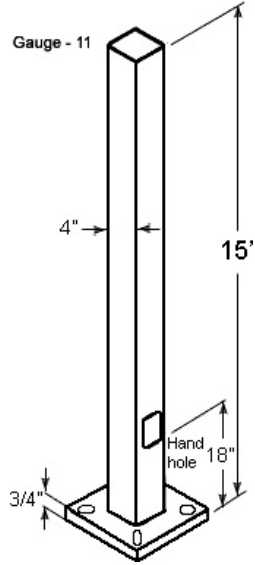
- 70MPH 14.0 ft_/400 lb
- 80MPH 10.2 ft_/295 lb
- 90MPH 7.6 ft_/220 lb
- 100MPH 5.6 ft_/165 lb
- 110MPH 4.2 ft_/125 lb
- 120MPH 3.0 ft_/95 lb
- 130MPH 2.1 ft_/70 lb
- 140MPH 1.4 ft_/50 lb
- 150MPH 0.8 ft_/35 lb.

Other

Terms of Sale:

Pole Terms of Sale is available .

Dimensions



Features

- Designed for ground mounting
- Heavy duty TGIC polyester coating
- Reinforced hand holes with grounding lug and removable cover for easy wiring access
- Anchor Bolt Kit includes pole cap and base cover (sold separately)
- Custom manufactured for each application



LED bollard with architectural quality and strength at an affordable price point. Cylindrical post with round head. Available in 12, 18 and 24 Watt versions that provide 90, 180, 270 and 360 degree lighting patterns.

Color: Bronze

Weight: 18.6 lbs

Project:
Rhino Foods Parking

Type:
F

Prepared By:
S Elliott

Date:
4/28/17

Driver Info

Type:	Constant Current
120V:	0.24A
208V:	0.18A
240V:	0.15A
277V:	0.12A
Input Watts:	22W
Efficiency:	81%

LED Info

Watts:	18W
Color Temp:	4000K
Color Accuracy:	87 CRI
L70 Lifespan:	100000
Lumens:	922
Efficacy:	42 LPW

Technical Specifications

Listings

UL Listing:

Suitable for wet locations.

IESNA LM-79 & IESNA LM-80 Testing:

RAB LED fixtures have been tested by an independent laboratory in accordance with IESNA LM-79 and 80, and have received the Department of Energy "Lighting Facts" label.

LED Characteristics

LEDs:

6W multi-chip, long-life LEDs

Lifespan:

100,000-hour LED lifespan based on IES LM-80 results and TM-21 calculations

Color Consistency:

3-step MacAdam Ellipse binning to achieve consistent fixture-to-fixture color.

Color Stability:

LED color temperature is warranted to shift no more than 200K in CCT over a 5 year period.

Color Uniformity:

RAB's range of CCT (Correlated Color Temperature) follows the guidelines of the American National Standard for Specifications for the Chromaticity of Solid State Lighting (SSL) Products, ANSI C78.377-2015

Electrical

Driver:

Constant Current, Class 2, 100-277V, 50/60 Hz, 6kV Surge Protection, 700mA, 100-277VAC 0.04 A.

THD:

16.6% at 120V

Construction

Ambient Temperature:

Suitable for use in 104° F (40° C) ambient temperatures.

Cold Weather Starting:

Minimum starting temperature is -40° F (-40° C)

Thermal Management:

Cast aluminum Thermal Management system for optimal heat sinking. The BLEDR is designed for cool operation, maximum efficiency and long life by minimizing LED junction temperature.

Housing:

Die-cast aluminum with extruded aluminum bollard shaft

Lens:

Clear, vandal-resistant polycarbonate

Mounting:

Four (4) anchor bolts provided for concrete pad mounting. Internal base support has leveling screws.

Reflector:

Specular polycarbonate

Gaskets:

High-temperature silicone gaskets seal out moisture gaskets seal out moisture

Gaskets:

High-temperature silicone gaskets seal out moisture

Anchor Bolt:

Anchor Bolt Dimension is available .

Finish:

Our environmentally friendly polyester powder coatings are formulated for high-durability and long-lasting color, and contain no VOC or toxic heavy metals.

Green Technology:

Mercury and UV free. RoHS compliant components. Polyester powder coat finish formulated without the use of VOC or toxic heavy metals.

Other

California Title 24:

BLEDR18 complies with 2013 California Title 24 building and electrical codes as a commercial outdoor non-pole-mounted fixture < 30 Watts when used with a photosensor control. Select catalog number PCS900(120V) or PCS900/277 to order a photosensor.

Patents:

The design of BLEDR is protected by patents pending in US, Canada, China, Taiwan and Mexico.

Warranty:

RAB warrants that our LED products will be free from defects in materials and workmanship for a period of five (5) years from the date of delivery to the end user, including coverage of light output, color stability, driver performance and fixture finish.

Country of Origin:

Designed by RAB in New Jersey and assembled in the USA by RAB's IBEW Local 3 workers.

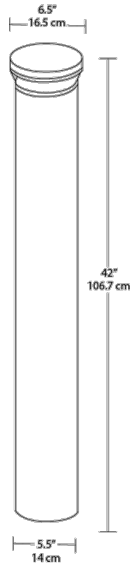
Buy American Act Compliant:

This product is a COTS item manufactured in the United States, and is compliant with the Buy American Act.

Technical Specifications (continued)

<p>Other</p> <p>Recovery Act (ARRA) Compliant: This product complies with the 52.225-21 "Required Use of American Iron, Steel, and Manufactured Goods-- Buy American Act-- Construction Materials (October 2010).</p>	<p>GSA Schedule: Suitable in accordance with FAR Subpart 25.4.</p>	<p>Optical</p> <p>BUG Rating: B1 U1 G1</p>
---	---	--

Dimensions



Features

- Patent-pending base mount design for super sturdy installation
- Durable construction and vandal-resistant polycarbonate lens
- 3 configurations to provide 360°, 270°, 180° or 90° lighting pattern
- Precision-engineered optics deliver maximum downward lighting w/o glare
- Four leveling screws provided for easy installation
- 100,000-hour LED lifespan

Ordering Matrix

Family	Shape	Watts	Color Temp	Finish	Type
BLED	R = Round	12 = 12W 18 = 18W 24 = 24W	Blank = 5000K (Cool) Y = 3000K (Warm) N = 4000K (Neutral)	Blank = Bronze W = White	Blank = 90° (12W), 270° (18W), 360° (24W) lighting patterns 180 = 180° lighting pattern (12W)



High output LED pole top area light with IES type V square distribution. Wide and uniform 360 degree pattern ideal for large outdoor areas such as parking lots, corporate parks, and retail settings.

Color: Bronze

Weight: 35.5 lbs

Project:
Rhino Foods Parking

Type:
G

Prepared By:
S Elliott

Date:
4/28/17

Driver Info

Type: Constant Current
120V: 0.60A
208V: 0.372A
240V: 0.322A
277V: 0.276A
Input Watts: 71W
Efficiency: N/A

LED Info

Watts: 78W
Color Temp: 4000K
Color Accuracy: 73 CRI
L70 Lifespan: 100000
Lumens: 8,183
Efficacy: 114 LPW

Technical Specifications

Listings

UL Listing:

Suitable for wet locations.

DLC Listed:

This product is listed by Design Lights Consortium (DLC) as an ultra-efficient premium product that qualifies for the highest tier of rebates from DLC Member Utilities.

DLC Product Code: P9KFA9GA

Dark Sky Approved:

The International Dark Sky Association has approved this product as a full cutoff, fully shielded luminaire.

IESNA LM-79 & LM-80 Testing:

RAB LED luminaires have been tested by an independent laboratory in accordance with IESNA LM-79 and LM-80, and have received the Department of Energy "Lighting Facts" label.

LED Characteristics

LEDs:

Long-life, high-efficiency surface mounting LEDs

Lifespan:

100,000-hour LED lifespan based on IES LM-80 results and TM-21 calculations.

Color Consistency:

7-step MacAdam Ellipse binning to achieve consistent fixture-to-fixture color.

Color Stability:

LED color temperature is warranted to shift no more than 200K in CCT over a 5 year period.

Color Uniformity:

RAB's range of CCT (Correlated Color Temperature) follows the guidelines of the American National Standard for Specifications for the Chromaticity of Solid State Lighting (SSL) Products, ANSI C78.377-2015.

Electrical

Driver:

Constant Current, Class 2 with 4kV surge protection, 120-277VAC, 50/60 Hz, 120V: 0.60A, 208V: 0.372A, 240V: 0.322A, 277V: 0.276A

THD:

7.8% at 120V, 14.5% at 277V

Power Factor:

99.5% at 120V, 92.4% at 277V

ALED5S78 with Dimmable Drive:

Driver includes dimming control for 0-10V dimming systems. Requires separate 0-10V DC dimming circuit. Dims as low as 10%.

Optical

BUG Rating:

B3 U1 G2

Optics:

Square, Type V distribution

Construction

Cold Weather Starting:

Minimum starting temperature is -40° F (-40° C)

Maximum Ambient Temperature:

Suitable for use in 104° F (40°C) ambient temperatures

Thermal Management:

Superior thermal management with external air-flow fins

For use on LEED Buildings:

IDA Dark Sky Approval means that this fixture can be used to achieve LEED Credits for Light Pollution Reduction.

Effective Projected Area:

EPA = 0.7

Housing:

Precision die-cast aluminum

Lens:

Clear polycarbonate

Reflector:

Vacuum-metallized polycarbonate

Gaskets:

High-temperature silicone

Mounting:

Tenon for 2 3/8" or 3" OD post or pole-top adaptor

Finish:

Formulated for high-durability and long lasting color.

Technical Specifications (continued)

Construction

Green Technology:

Mercury and UV free. RoHS compliant components. Polyester powder coat finish formulated without the use of VOC or toxic heavy metals.

Other

Patents:

The designs of the ALED5S are protected by patents pending in US, Canada, China, Taiwan and Mexico.

Country of Origin:

Designed by RAB in New Jersey and assembled in the USA by RAB's IBEW Local 3 workers.

Buy American Act Compliant:

This product is a COTS item manufactured in the United States, and is compliant with the Buy American Act.

Recovery Act (ARRA) Compliant:

This product complies with the 52.225-21 "Required Use of American Iron, Steel, and Manufactured Goods-- Buy American Act-- Construction Materials (October 2010).

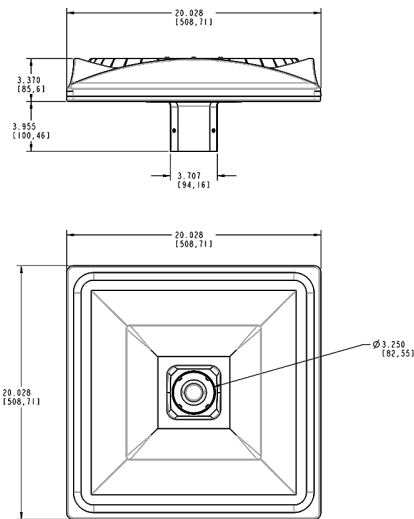
GSA Schedule:

Suitable in accordance with FAR Subpart 25.4.

Replacement:

Replaces 150 Watt Pulse MH / 250 Watt Probe Metal Halide.

Dimensions



Features

- Precision optics deliver uniform, optimal light distribution
- Perfect for parking lots and pathways
- 100,000-Hour LED lifespan

Ordering Matrix

Family	Distribution	Shape	Watts	Color Temp	Finish	Voltage	Dimming	Bi-Level	Photocell	Pin	Sensor
ALED	5	S	78	N			/D10				
	5 = Type V	S = Square	78 = 78W 150 = 150W	Blank = 5000K (Cool) N = 4000K (Neutral) Y = 3000K (Warm)	Blank = Bronze W = White	Blank = 120-277V /480 = 480V	Blank = No Dimming /D10 = Dimmable	Blank = No Bi-Level /BL = Bi-Level	Blank = No Photocell /PCT = 120-277V Twistlock Photocell	Blank = No Pin /5PR = 5 Pin Receptacle /7PR = 7 Pin Receptacle	Blank = No Sensor /WS2 = Multi-Level Motion Sensor



12, 18 and 26 Watt SLIM wallpacks are ultra efficient and deliver impressive light distribution with a compact low-profile design that's super easy to install as a downlight or uplight.

Color: Bronze

Weight: 4.5 lbs

Project:
Rhino Foods Parking

Type:
H

Prepared By:
S Elliott

Date:
4/28/17

Driver Info

Type: Constant Current
120V: 0.18A
208V: 0.11A
240V: 0.09A
277V: 0.08A
Input Watts: 21W
Efficiency: 85%

LED Info

Watts: 18W
Color Temp: 4000K
Color Accuracy: 70 CRI
L70 Lifespan: 100000
Lumens: 2,565
Efficacy: 122 LPW

Technical Specifications

Listings

UL Listing:

Suitable for wet locations. Suitable for mounting within 1.2m (4ft) of the ground.

DLC Listed:

This product is listed by Design Lights Consortium (DLC) as an ultra-efficient premium product that qualifies for the highest tier of rebates from DLC Member Utilities.

DLC Product Code: P0000171P

ADA Compliant:

SLIM™ is ADA Compliant.

Dark Sky Approved:

The International Dark Sky Association has approved this product as a full cutoff, fully shielded luminaire.

IESNA LM-79 & LM-80 Testing:

RAB LED luminaires have been tested by an independent laboratory in accordance with IESNA LM-79 and LM-80, and have received the Department of Energy "Lighting Facts" label.

Construction

IP Rating:

Ingress Protection rating of IP66 for dust and water

Cold Weather Starting:

Minimum starting temperature is -40° F (-40° C)

Maximum Ambient Temperature:

Suitable for use in 104° F (40°C) ambient temperatures

Thermal Management:

Superior heat sinking with internal Air-Flow fins.

Housing:

Precision die-cast aluminum housing.

Mounting:

Heavy-duty mounting bracket with hinged housing for easy installation.

Recommended Mounting Height:

Up to 14 ft.

Lens:

Tempered glass lens.

Reflector:

Specular thermoplastic.

Gaskets:

High-temperature silicone

Finish:

Formulated for high-durability and long lasting color.

Green Technology:

Mercury and UV free. RoHS compliant components. Polyester powder coat finish formulated without the use of VOC or toxic heavy metals.

LED Characteristics

LED:

Multi-chip, long-life LED.

Lifespan:

100,000-hour LED lifespan based on IES LM-80 results and TM-21 calculations.

Color Consistency:

3-step MacAdam Ellipse binning to achieve consistent fixture-to-fixture color.

Color Stability:

LED color temperature is warrantied to shift no more than 200K in CCT over a 5 year period.

Color Uniformity:

RAB's range of CCT (Correlated Color Temperature) follows the guidelines for the American National Standard for Specifications for the Chromaticity of Solid State Lighting (SSL) Products, ANSI C78.377-2015.

Electrical

Driver:

Constant Current, Class 2, 100-277V, 50/60 Hz., 4KV surge protection, 500mA, 100-240VAC 0.3-0.15 Amps, 277VAC 0.15 Amps, Power Factor 99%.

Other

California Title 24:

SLIM18 complies with 2013 California Title 24 building and electrical codes as a residential outdoor fixture. See SLIM18/PC for a model that complies as a commercial outdoor non-pole-mounted fixture__≤__30 Watts.

Patents:

The design of the SLIM™ is protected by patents in U.S. Pat D681,864, and pending patents in Canada, China, Taiwan and Mexico.

HID Replacement Range:

Replaces 100W Metal Halide.

Technical Specifications (continued)

Optical

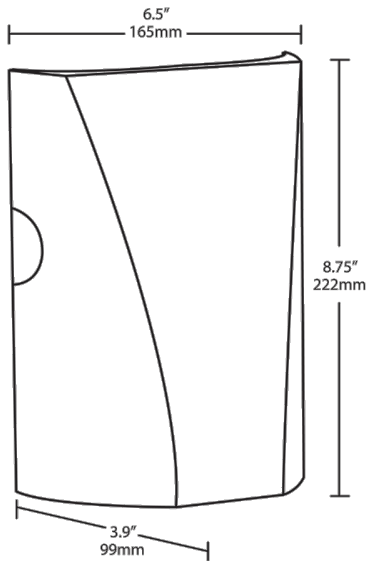
BUG Rating:

B1 U0 G0

BUG Rating:

B1 U0 G0

Dimensions



Features

- Full cutoff, fully shielded LED wallpack
- Can be used as a downlight or uplight
- Contractor friendly features for easy installation
- 100,000-hour LED Life
- 5-Year Warranty

Ordering Matrix

Family	Watts	Color Temp	Finish	Photocell	Dimming
SLIM	26 = 26W 18 = 18W 12 = 12W	Blank = 5000K (Cool) Y = 3000K (Warm) N = 4000K (Neutral)	Blank = Bronze W = White	Blank = No Photocell /PC = 120V Button /PC2 = 277V Button /PCT = 120-277V Twistlock	Blank = No Dimming /D10 = Dimmable



LED 10W & 13 Wallpacks. Patent Pending thermal management system. 100,000 hour L70 lifespan. 5 Year Warranty.

Color: Bronze

Weight: 3.3 lbs

Project:
Rhino Foods Parking

Type:
I

Prepared By:
S Elliott

Date:
4/28/17

Driver Info

Type: Constant Current
120V: 0.13A
208V: 0.08A
240V: 0.07A
277V: 0.06A
Input Watts: 15W
Efficiency: 87%

LED Info

Watts: 13W
Color Temp: 4000K
Color Accuracy: 86 CRI
L70 Lifespan: 100000
Lumens: 673
Efficacy: 45 LPW

Technical Specifications

Listings

UL Listing:

Suitable for Wet Locations as a Downlight. Suitable for Damp Locations as an Uplight. Wall Mount only. Suitable for Mounting within 4ft. of ground.

Dark Sky Approved:

The International Dark Sky Association has approved this product as a full cutoff, fully shielded luminaire.

IESNA LM-79 & IESNA LM-80 Testing:

RAB LED luminaires have been tested by an independent laboratory in accordance with IESNA LM-79 and 80, and have received the Department of Energy "Lighting Facts" label.

Optical

Lifespan:

100,000-hour LED lifespan based on IES LM-80 results and TM-21 calculations.

Fixture Efficacy:

44.6 Lumens per Watt

Lumen Maintenance:

The LED will deliver 70% of its initial lumens at 100,000 hours of operation.

BUG Rating:

B1 U0 G0

BUG Rating:

B1 U0 G0

Construction

Cold Weather Starting:

Minimum starting temperature is -40° F (-40° C)

Maximum Ambient Temperature:

Suitable for use in 55°C (131°F) ambient temperatures.

Finish:

Formulated for high-durability and long lasting color.

Green Technology:

Mercury and UV free. RoHS compliant components. Polyester powder coat finish formulated without the use of VOC or toxic heavy metals.

For use on LEED Buildings:

IDA Dark Sky Approval means that this fixture can be used to achieve LEED Credits for Light Pollution Reduction.

Gaskets:

High Temperature Silicone.

Electrical

Driver:

Multi-chip 13W high output long life LED Driver Constant Current, Class 2 100V - 277V, 50/60 Hz.

Surge Protection:

4kV

LED Characteristics

Color Temperature (Nominal CCT):

4000K

Color Accuracy:

86 CRI

Color Consistency:

3-step MacAdam Ellipse binning to achieve consistent fixture-to-fixture color.

Color Stability:

LED color temperature is warranted to shift no more than 200K in CCT over a 5 year period.

Color Uniformity:

RAB's range of CCT (Correlated Color Temperature) follows the guidelines of the American National Standard for Specifications for the Chromaticity of Solid State Lighting (SSL) Products, ANSI C78.377-2015.

Other

Patents:

The design of the LPACK is protected by U.S. Pat. D604,004 and patents pending in Canada, China and Taiwan.

California Title 24:

See WPLED13/PC for a 2013 California Title 24 compliant model.

Warranty:

RAB warrants that our LED products will be free from defects in materials and workmanship for a period of five (5) years from the date of delivery to the end user, including coverage of light output, color stability, driver performance and fixture finish.

Country of Origin:

Designed by RAB in New Jersey and assembled in the USA by RAB's IBEW Local 3 workers.

Buy American Act Compliant:

This product is a COTS item manufactured in the United States, and is compliant with the Buy American Act.

Technical Specifications (continued)

Other

Recovery Act (ARRA) Compliant:

This product complies with the 52.225-21 "Required Use of American Iron, Steel, and Manufactured Goods-- Buy American Act-- Construction Materials (October 2010).

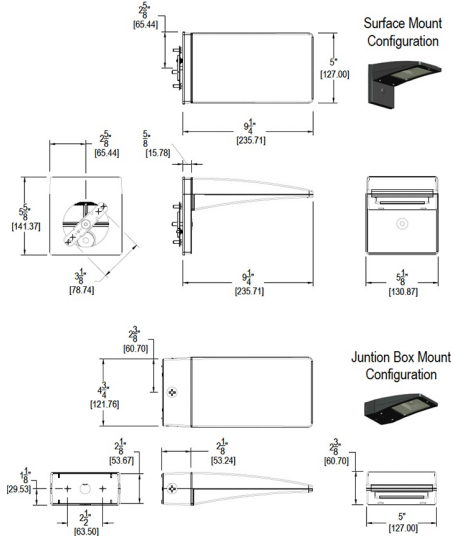
GSA Schedule:

Suitable in accordance with FAR Subpart 25.4.

Equivalency:

Equivalent to 100W Metal Halide.

Dimensions



Features

- High performance LED light engine
- Maintains 70% of initial lumens at 100,000 hours
- Weatherproof high temperature silicone gaskets
- Superior heat sinking with die cast aluminum housing and external fins
- 5-year warranty

Ordering Matrix

Family	Watts	Color Temp	Sensor	Surface Plate	Surface Place	Finish	Photocell
WPLED	10 = 10W 13 = 13W	Blank = 5000K (Cool) Y = 3000K (Warm) N = 4000K (Neutral)	Blank = No Sensor MS = Mini Sensor	Blank = No Surface Plate	S = Surface Plate	Blank = Bronze W = White	Blank = No Photocell /PC = 120V Button /PCS = 120V Swivel /PC2 = 277V Button



Super Stealth Sensor with Total 360 + 180 "Can't Miss" Coverage, Surge Protection, Scanning LEDs, Evening Timer and Color Matched Lens, universal CU4 cover plate included.

Color: Bronze

Weight: 1.5 lbs

Project: Rhino Foods Parking	Type: Sensor
Prepared By: S Elliott	Date: 4/28/17

Technical Specifications

Listings

UL Listing:

Suitable for wet locations.

Electrical

Voltage:

120 volts AC 60 Hz.

Power Consumption:

1W

Surge Protection:

Withstands up to 6000 volts.

Wall Switch Manual Override:

Two flip logic prevents activation by momentary power outages. Override resets to auto at dawn. No extra wiring needed.

RF Immunity:

Circuits fully shielded for maximum radio frequency immunity.

Switching Capacity:

8 amps, 1000 watts incandescent @ 120 volts.

Sensor Characteristics

Time Adjustment:

5 seconds to 12 minutes.

Wide Sensitivity Control:

Adjustable from 100% to 30%.

Evening Timer:

Keeps lights on for 1-8 hours after dusk. Then sensor is motion activated until dawn.

Set it and forget it:

STL360's full coverage pattern reduces need for aiming and adjustment.

Advanced Detection Logic:

Minimizes false triggers.

Photoelectric Control:

Deactivates lights during daylight. Fully adjustable for 24 hour operation or custom applications.

Detection:

Senses 180° and 360° down for Total Detection.

LED Characteristics

Scanning LEDs:

3 LEDs continually scan back-and-forth.

Color Matched Lens:

Dark lens with bronze units, white lens with white units.

Construction

Temperature Compensation:

Sensitivity adjusted automatically for consistent detection in hot and cold ambient temperatures.

Mounting:

CU4 plate allows the sensor to be mounted under a soffit.

Lens Masks:

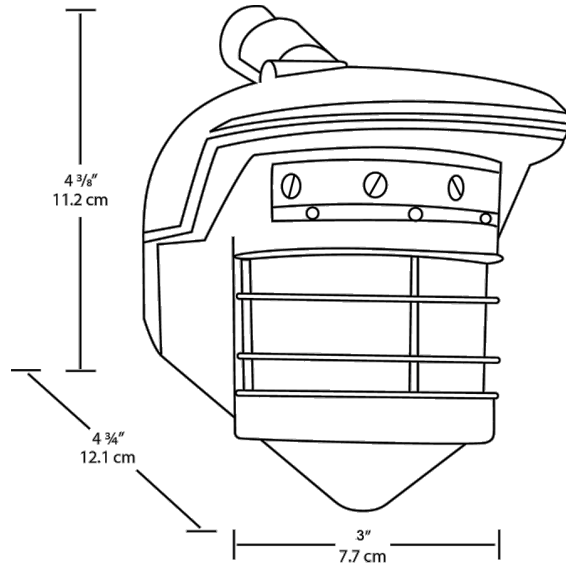
Customized press apply lens mask included to reduce coverage easily.

Other

Warranty:

10 year sensor warranty.

Dimensions



Features

- Senses 180° out + 360° down for total detection
- Radio frequency immunity
- 6000 volt surge protection
- Quick test time
- Color matched vandal resistant
- 1000 Watt switching capacity
- Pre-wired and pre-assembled on CU4 universal EZ plate
- Protected manual override with auto reset
- Can be wired in parallel