



HARVEY
BUILDING PRODUCTS

Harvey Industries, Inc.
1400 Main Street, Waltham, MA 02451-1689
(781) 899-3500 harveybp.com

RECEIVED
JAN 05 2018

DEPARTMENT OF
PLANNING & ZONING

Manufacturing
ACKNOWLEDGEMENT

Williston
71 Leroy Road
WILLISTON, VT 05495-5891
Phone: (802) 660-8111 Fax: (802) 660-4782

BILL TO:

ABLE PAINT GLASS & FLOORING/MAIN
683 PINE ST
BURLINGTON, VT 05401-0000

SHIP TO:

ABLE PAINT GLASS & FLOORING/MAIN
683 PINE ST



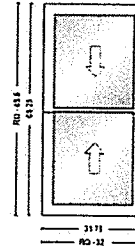
Phone: 802-655-6500 Fax: 8026556908

BURLINGTON VT 05401-0000
Phone: 802-655-6500 Fax: (802)655-6908

QUOTE NBR	CUST NBR	CUSTOMER PO	DATE CREATED	DATE ORDERED	ORDER TYPE
4292955	1051530		10/23/2017	Quote Not Ordered	Charge
ORDERED BY	STATUS	SHIP VIA	DELIVERY AREA		
JOSH	None	Whse Pickup	WILLISTON VT		
CLERK	JOB NAME	COUPON			
JJH - Joanne Hennessey	MAZUR				

LINE #	DESCRIPTION	QTY
--------	-------------	-----

10000-1 Majesty DH , Unit Size 31.75 x 65.25, RO 32 x 65.5 29
 U-Factor = 0.47, SHGC = 0.57, VT = 0.59, Custom / Call Size Option = Custom
 Size, Replacement
 Double Glazed, Clear
 Natural Pine , Base Color = White, Jamb Liner Color = Standard-Almond
 Single , Coppertone, Routed
 Half Screen, Fiberglass Mesh
 Overall Rough Opening Width = 32, Overall Rough Opening Height = 65.5
 Clear Opening Width = 27.875, Clear Opening Height = 26.375, Clear Opening
 Square Footage = 5.1



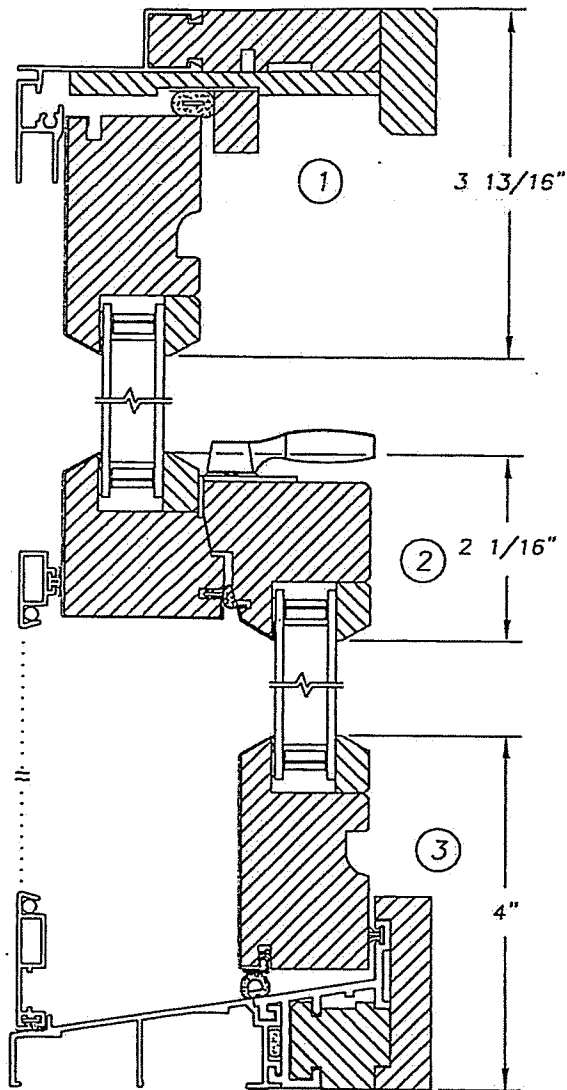
Room Location: None Assigned

****Note: Delivery charges may apply and are not included on this quote.**

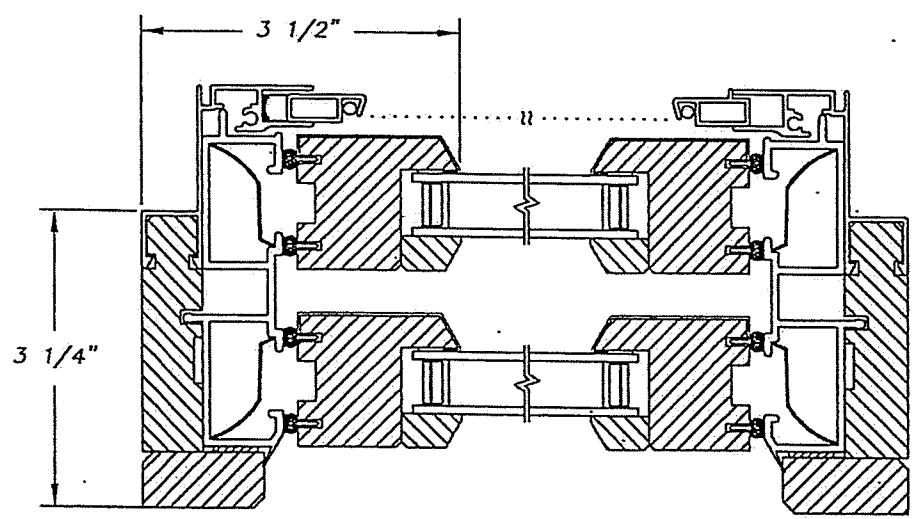
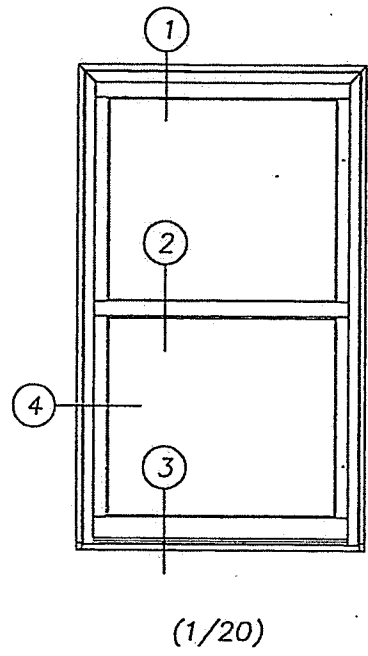
This quotation is based on our interpretation of the information provided. All quantities, sizes, extensions, grand totals, and specifications should be verified by the contractor prior to his/her bidding or ordering of materials. Harvey Industries, Inc., is responsible only for the items as quoted above. Any changes or addendums will be subject to a requote. We propose to supply the materials as described above, subject to the terms and conditions as required by our credit department. The prices are guaranteed for 30 days from the date of quotation unless otherwise noted. Delivery charges may apply and are not reflected on this quote. We appreciate the opportunity to quote this job. If you have any questions, please call your local warehouse.

CUSTOMER SIGNATURE _____ DATE _____

1-1



Harvey Building Products
Majesty Replacement
Double Hung
(1/2 Scale)



REV. 09/11

AS 182