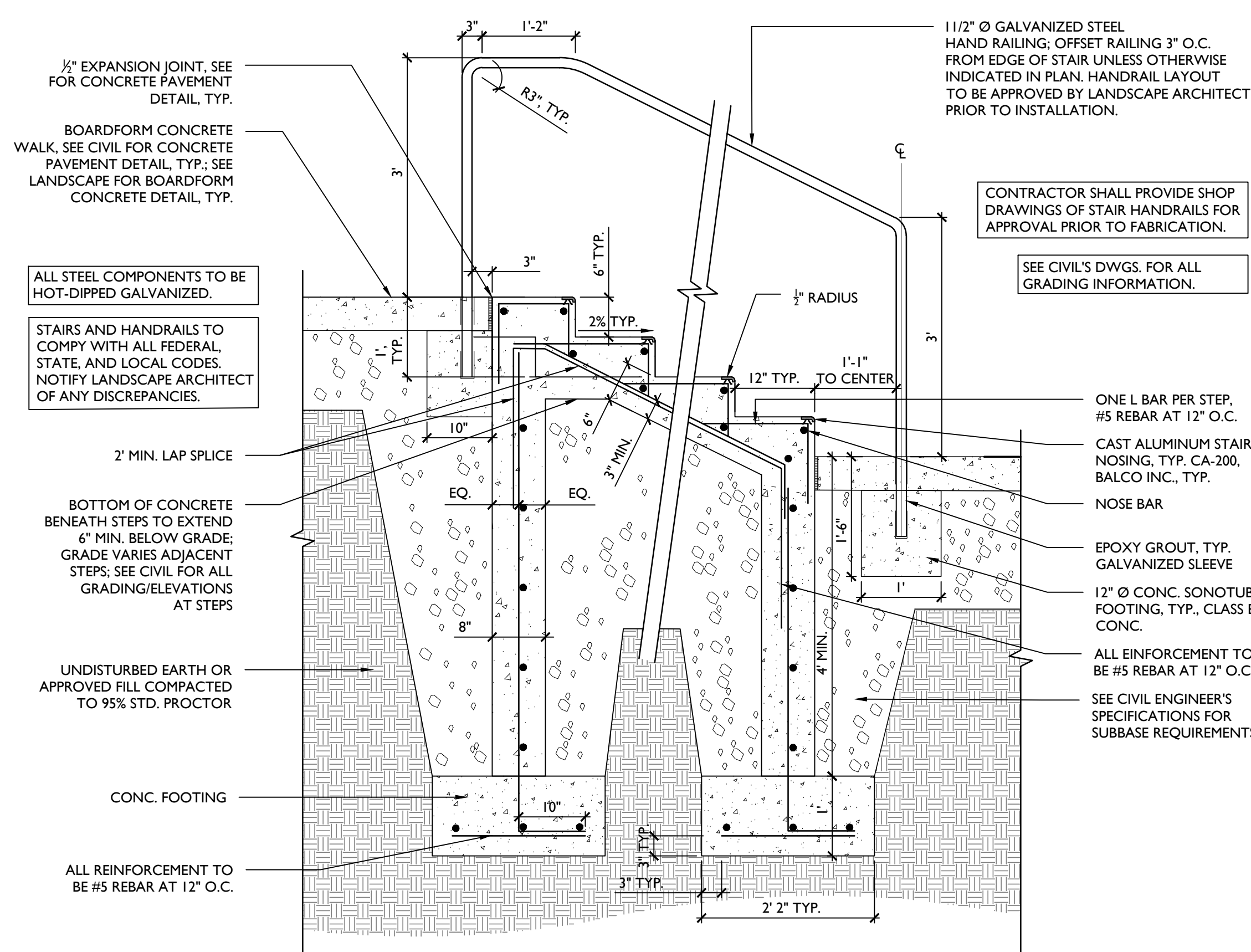
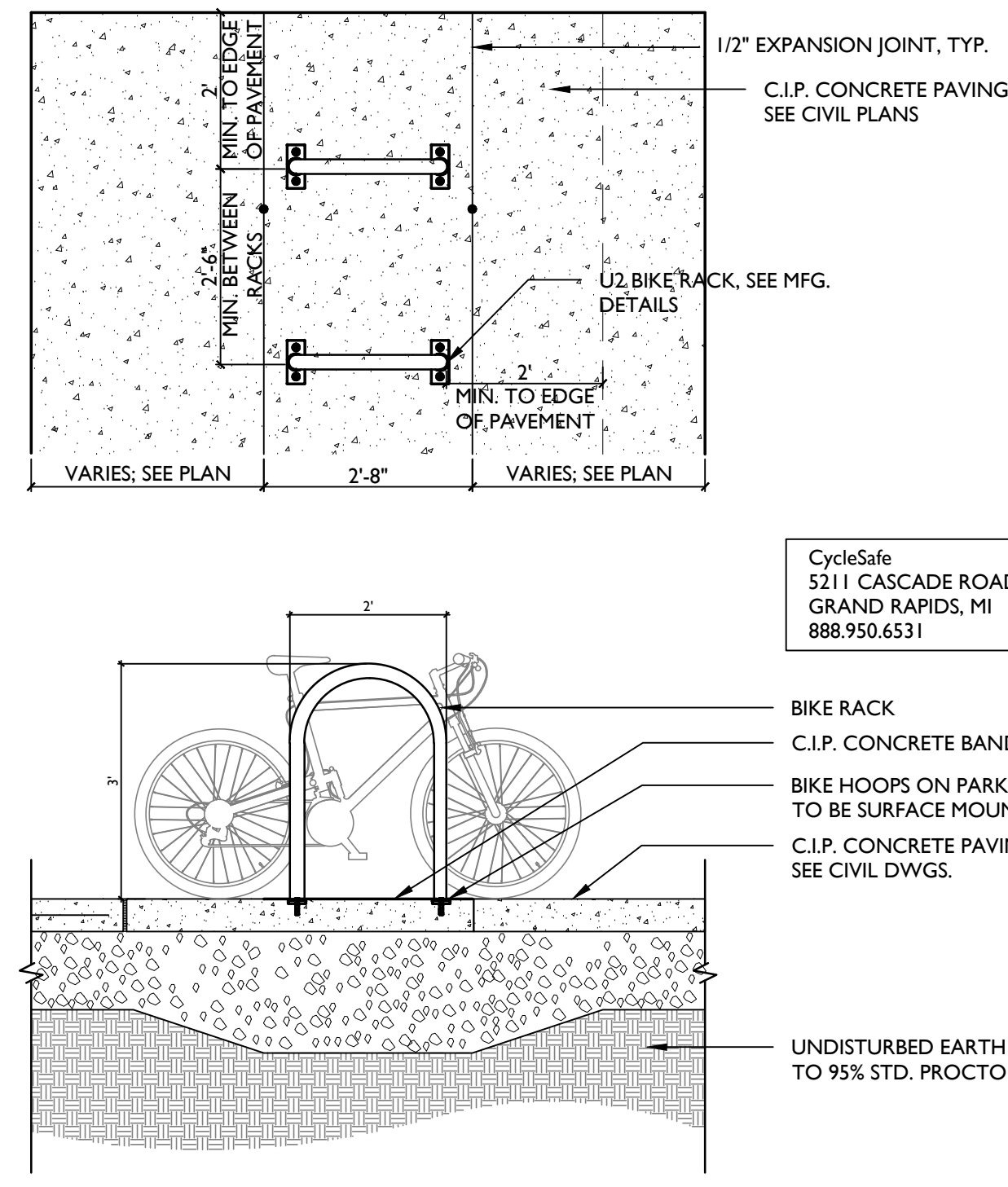


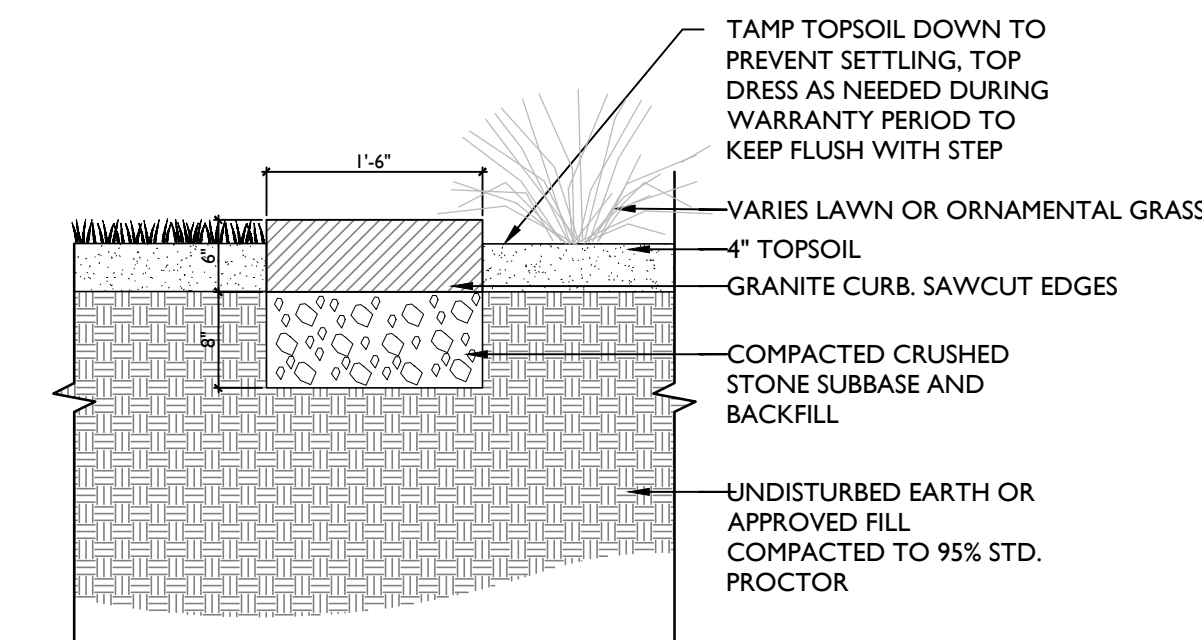
NOT FOR CONSTRUCTION



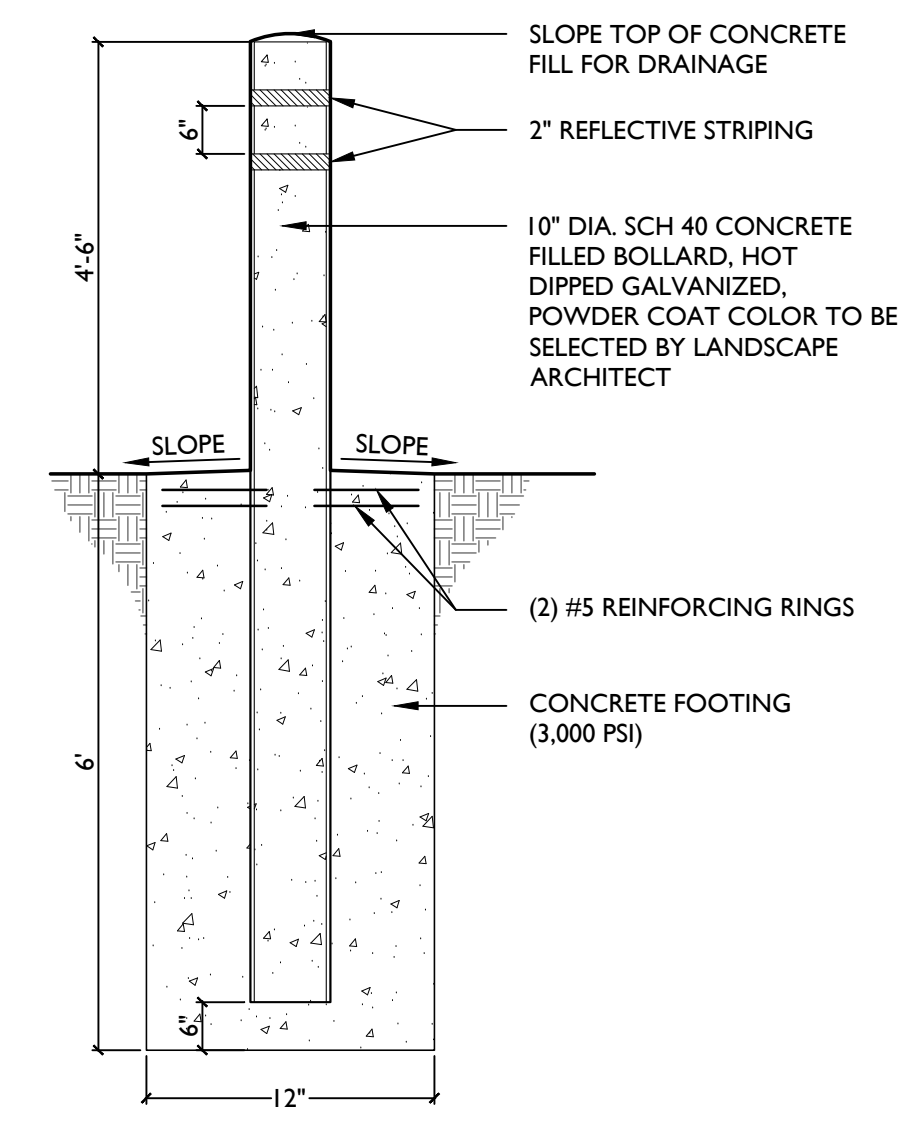
1 CIP CONCRETE STAIR
1/2"=1'-0"



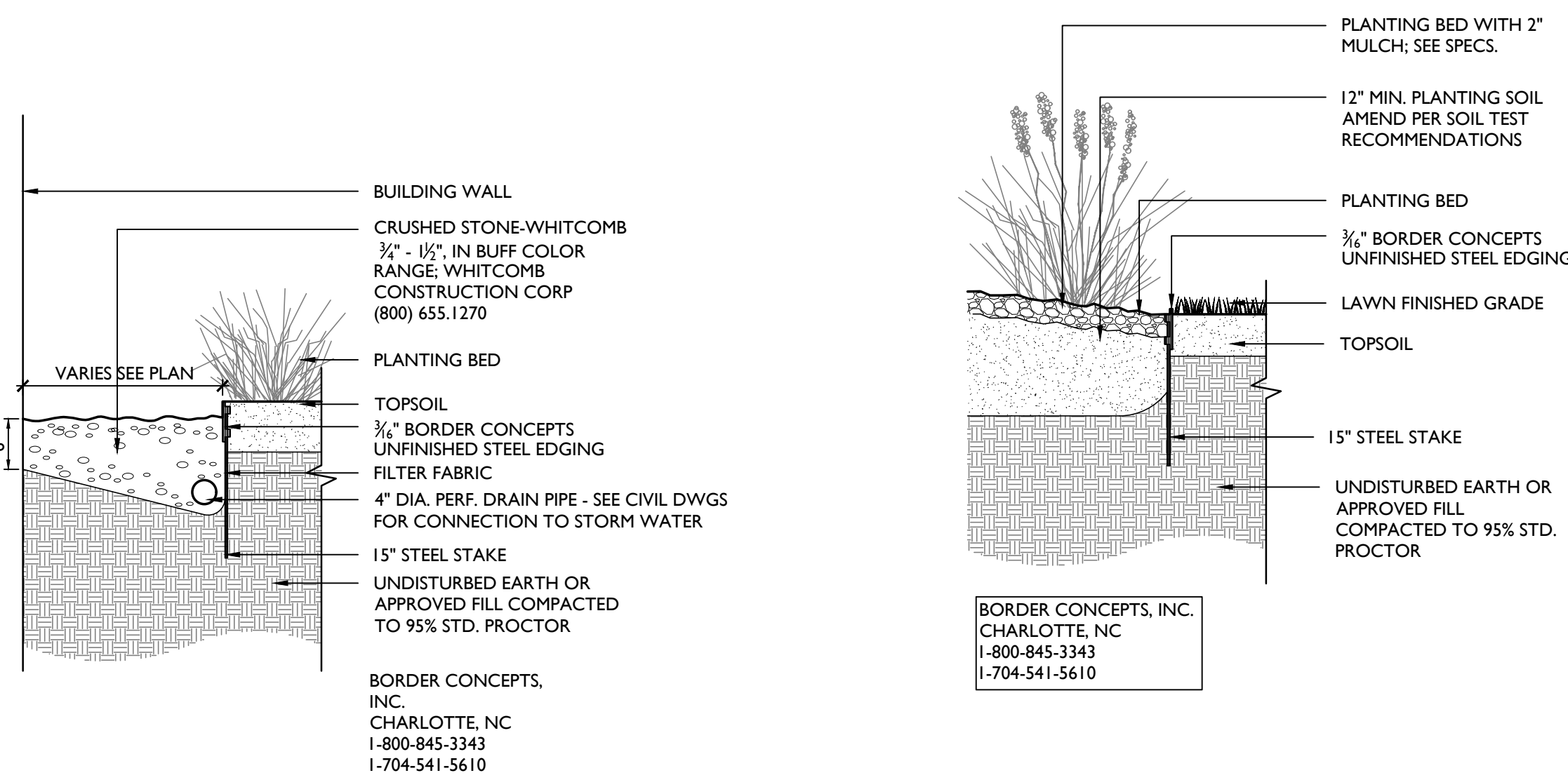
2 BIKE HOOP
1/2"=1'-0"



3 STEPPING STONES IN PLANTING BED
1/2"=1'-0"

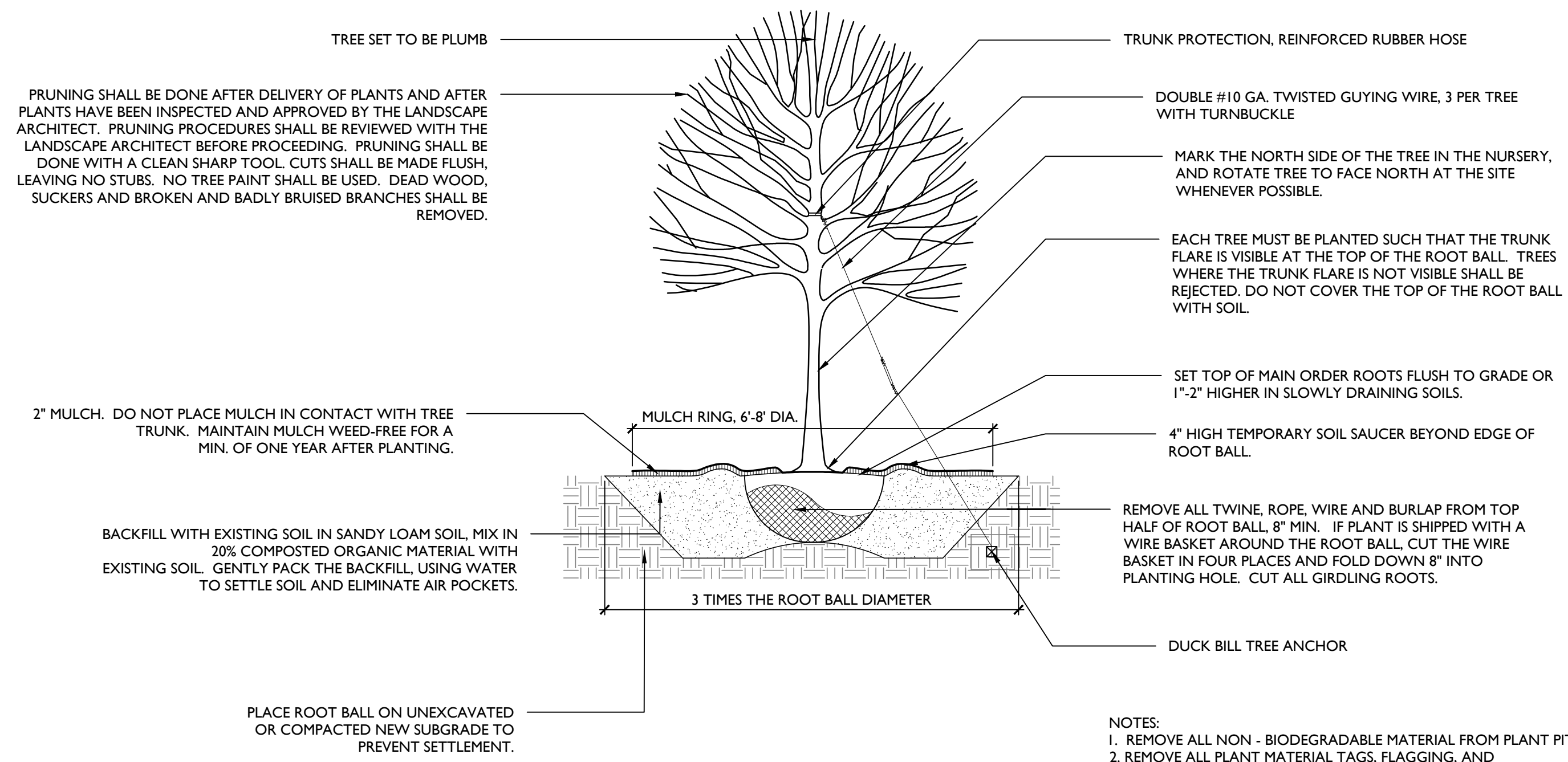


4 UTILITY BOLLARD
1/2"=1'-0"



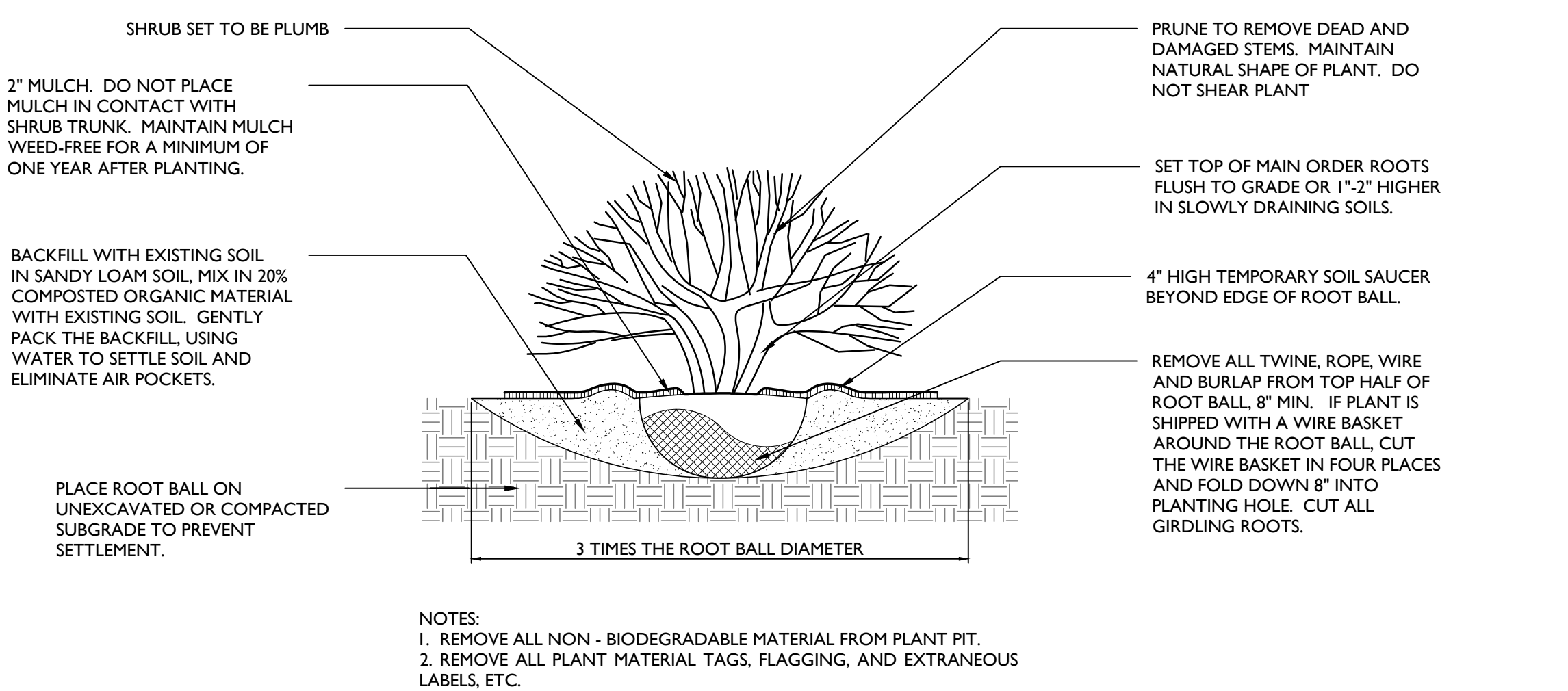
5 DRIP EDGE
1/2"=1'-0"

6 STEEL EDGING
1/2"=1'-0"



7 DECIDUOUS TREE PLANTING
1/2"=1'-0"

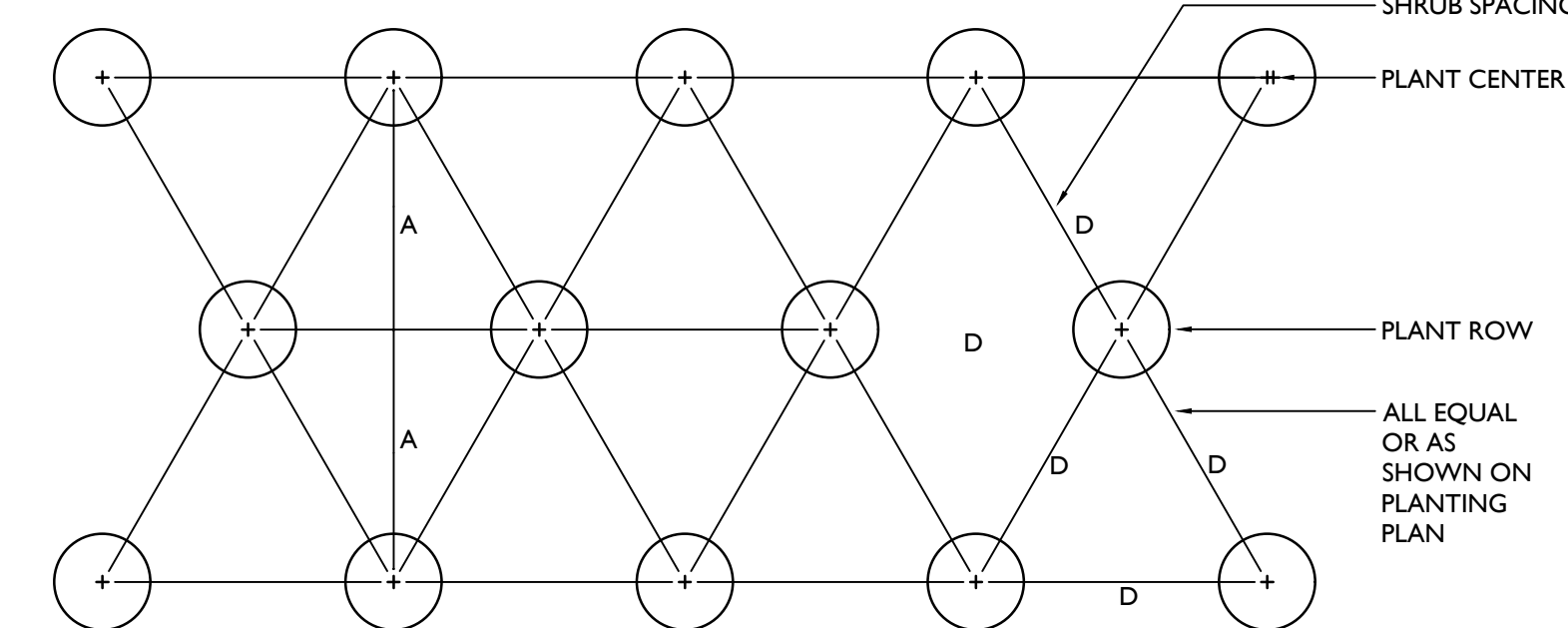
8 PERENNIAL PLANTING
1/2"=1'-0"



9 DECIDUOUS SHRUB PLANTING
1/2"=1'-0"

SPACING "D"	ROW "A"	NUMBER OF PLANTS/SQ. FT.
60" O.C.	51.96"	0.04
48" O.C.	41.52"	0.07
42" O.C.	36.52"	0.10
36" O.C.	31.20"	0.12
30" O.C.	26.00"	0.18
24" O.C.	20.78"	0.28

NOTE:
QUANTITY OF SHRUBS AND SPACING AS NOTED IN PLANTING SCHEDULE



10 PLANT SPACING
1/2"=1'-0"

-	BURLINGTON DESIGN REVIEW BOARD SUBMISSION	12 APR 2018
-	DD PRICING SET	23 MAR 2018
-	DD PROGRESS SET	2 MAR 2018
-	SUPPLEMENTAL SD SET	3 NOV 2017
-	SD PRICING SET	25 AUG 2017
No.	Description	Date

Drawing Title:

LANDSCAPE DETAILS

Project No.: 005353.00 Checked by: JH

L400